

Superior Measurement Accuracy For EECO Automatic Gauge Systems

Highly accurate, trouble-free performance for inventory management and in-tank leak detection. The EECO Magnetostrictive Probe's capacity to precisely measure fluid provides the data required to test your tanks without shutting them down. And unlike competitive probes that have to be up-graded to handle different liquids, this highly-accurate probe comes standard in stainless steel and can be used with a variety of liquids – gasoline, diesel, and alcohol blended fuels. The probe also measures water level, providing information to ensure product quality.

Applications

- Petrochemicals (Inventory management and leak detection)
- Small-Tank Openings – Less than 2" (5.08 cm) in diameter, 1" (2.54 cm) Float – Inventory
- Management only Extreme Temperature (for use with USTs and ASTs) – performs inventory management only in AST applications
- Compatible with gasoline, diesel and a variety of approved liquids
- Float kits available: 1" (2.54 cm), 2" (5.08 cm), 3" (7.62 cm) and 4" (10.2 cm)

Leak Test Performance – with 4" Floats (Third Party Certified)

- 0.2 gph (0.76 lph) Static Leak Test: 99% Pd, 1% Pfa
- 0.1 gph (0.38 lph) Static Leak Test: 99% Pd, 1% Pfa
- 0.2 gph (0.76 lph) Continuous Leak Test: 99.1% Pd, 9% Pfa
- U.S. EPA Static Leak Test Certified: 15,000 gallon tank (56,781 liters)
- U.S. EPA Continuous Leak Test Certified: 35,000 gallon tank (132,475 liters)
- U.S. EPA Continuous Leak Test Certified: Manifold Tank Configuration, two tanks equaling the sum of 35,000 gallon tank (132,475 liters)

Approvals

- UL
- BASEEFA
- EMC1

Probe Specifications

Type:	Magnetostrictive/Float
Material:	Stainless steel shaft
Location:	Hazardous, Class I, Division 1, Group D
Probe Inputs:	Intrinsically safe
Probe Power Supply:	26 VDC
Level Precision:	± 0.0005" (0.0001 cm)
Level Accuracy:	± 0.04% full scale
Temperature Accuracy:	= or minus 0.5°F (0.3°C)
Temperature:	5 RTDs
Temperature Range:	-40°F to 158°F (-40°C to 70°C)
Data Cable:	< 250' Belden #8760, 250' (75.8 m) to 1500' (454.5 m) Belden #9182



4" (10.2 cm) Magnetostrictive Probe Floats and 8' (2.4 m) Interface Cable

Part No.	Description
■ Q0400-404E	4' (1.2 m)
■ Q0400-4045E	4'6" (1.4 m)
■ Q0400-405E	5' (1.5 m)
■ Q0400-4055E	5'6" (1.7 m)
■ Q0400-406E	6' (1.8 m)
■ Q0400-4065E	6'6" (2.0 m)
■ Q0400-4047E	7' (2.1 m)
■ Q0400-4075E	7'6" (2.3 m)
■ Q0400-408E	8' (2.4 m)
■ Q0400-4085E	8'6" (2.6 m)
■ Q0400-409E	9' (2.7 m)
■ Q0400-4095E	9'6" (2.9 m)
■ Q0400-4010E	10' (3.0 m)
■ Q0400-40105E	10'6" (3.2 m)
■ Q0400-411E	11' (3.4 m)
■ Q0400-4115E	11'6" (3.5 m)
■ Q0400-412E	12' (3.7 m)
■ Q0400-4125E	12'6" (3.8 m)
■ Q0400-413E	13' (4.0 m)
■ Q0400-4135E	13'6" (4.1 m)
■ Q0400-414E	14' (4.3 m)
■ Q0400-4145E	14'6" (4.4 m)
■ Q0400-415E	15' (4.6 m)
■ Q0400-4155E	15'6" (4.7 m)
■ Q0400-416E	16' (4.9 m)

1" (2.5 cm) Magnetostrictive Probe Floats and 8' (2.4 m) Interface Cable

Part No.	Description
■ Q0400-504E	4' (1.2 m)
■ Q0400-5045E	4'6" (1.4 m)
■ Q0400-505E	5' (1.5 m)
■ Q0400-5055E	5'6" (1.7 m)
■ Q0400-506E	6' (1.8 m)
■ Q0400-5065E	6'6" (2.0 m)
■ Q0400-5047E	7' (2.1 m)
■ Q0400-5075E	7'6" (2.3 m)
■ Q0400-508E	8' (2.4 m)
■ Q0400-5085E	8'6" (2.6 m)
■ Q0400-509E	9' (2.7 m)
■ Q0400-5095E	9'6" (2.9 m)
■ Q0400-5010E	10' (3.0 m)
■ Q0400-50105E	10'6" (3.2 m)
■ Q0400-511E	11' (3.4 m)
■ Q0400-5115E	11'6" (3.5 m)
■ Q0400-512E	12' (3.7 m)
■ Q0400-5125E	12'6" (3.8 m)
■ Q0400-513E	13' (4.0 m)
■ Q0400-5135E	13'6" (4.1 m)
■ Q0400-514E	14' (4.3 m)
■ Q0400-5145E	14'6" (4.4 m)
■ Q0400-515E	15' (4.6 m)
■ Q0400-5155E	15'6" (4.7 m)
■ Q0400-516E	16' (4.9 m)

Probe Float Kits

Part No.	Description
■ 439482	4" (10.2 cm) Gas/Water Nitrophenyl Float Kit
■ 439484	4" (10.2 cm) Diesel/Water Nitrophenyl Float Kit
■ 439478	2" (5.08 cm) Gas/Water Nitrophenyl Float Kit
■ 439479	2" (5.08 cm) Diesel/Water Nitrophenyl Float Kit
■ 401144	1" (2.54 cm) Gas/Water Nitrophenyl Float Kit
■ 401145	1" (2.54 cm) Diesel/Water Nitrophenyl Float Kit
■ Q439412	2" (5.08 cm) Stainless Steel Product Float
■ Q439413	2" (5.08 cm) Stainless Steel Water Float

Probe Interface Cable

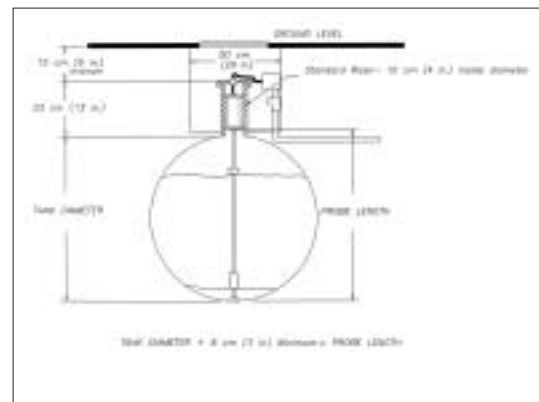
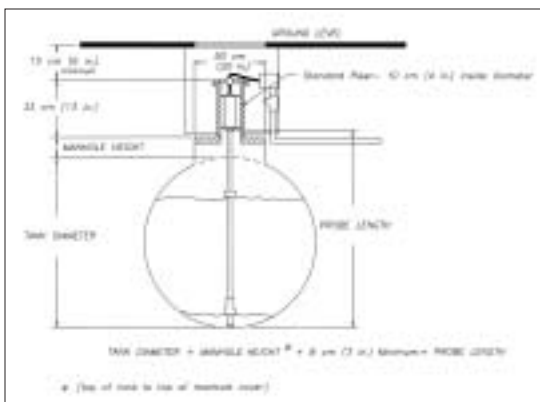
Part No.	Description
■ 401163	8' (2.4 m) Probe Interface Cable (Yellow, shipped with all probes except for Europe)
■ 401164	8' (2.4 m) Probe Interface Cable (Blue, shipped with only probes for Europe)
■ 401165	Field Wirable Connector Kit

Probe Installation Kits

Part No.	Description
■ Q439429	Magnetostrictive Probe Installation Kit, 4" (10.2 cm) Cap
■ 439486	PTB High Pressure Installation Kit
■ 401162	Low Pressure Installation Kit

Probe Interface Field Wire

Part No.	Description
■ Q439579	TLM Belden 8760 Cable 250' spool for runs less than 250' (76.2 m)
■ Q439558	TLM Belden 8760 Cable 500' spools for runs less than 500' (152.4 m)



A DOVER COMPANY

ONE COMPANY. ONE WORLD. ONE SOURCE.

6900 SANTA FE DRIVE • HODGKINS, IL USA 60525 • www.opwfms.com • 708-485-4200 • (fax) 708-485-7137

NOTE: All information is subject to engineering and/or other changes. All trade names are copyrighted. Patents Pending. Form No. 60-8182 ©2002 OPW Fuel Management Systems
©2002 Delaware Capital Formation, Inc. All Rights Reserved. DOVER and the DOVER logo are registered trademarks of Delaware Capital Formation, Inc., a wholly-owned subsidiary of Dover Corporation.